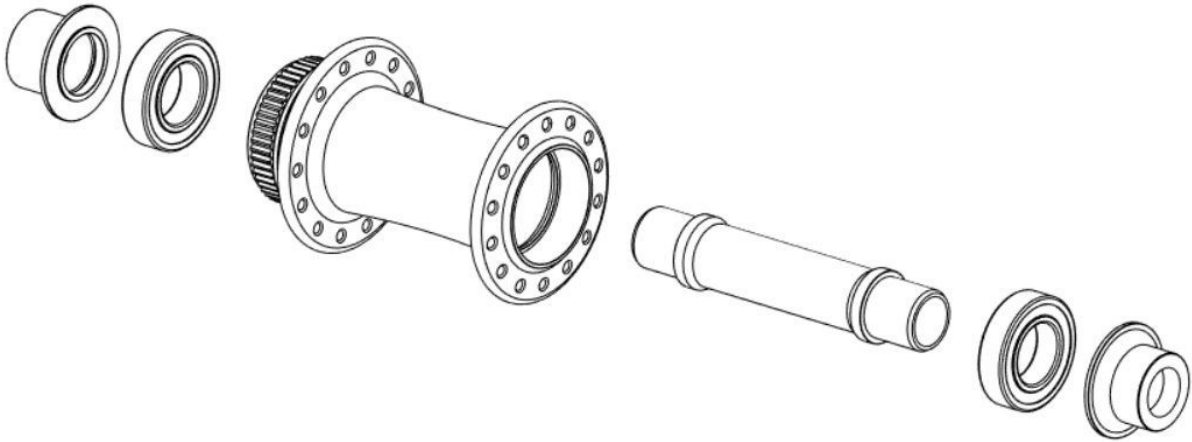


ROAD Centerlock Front Hub

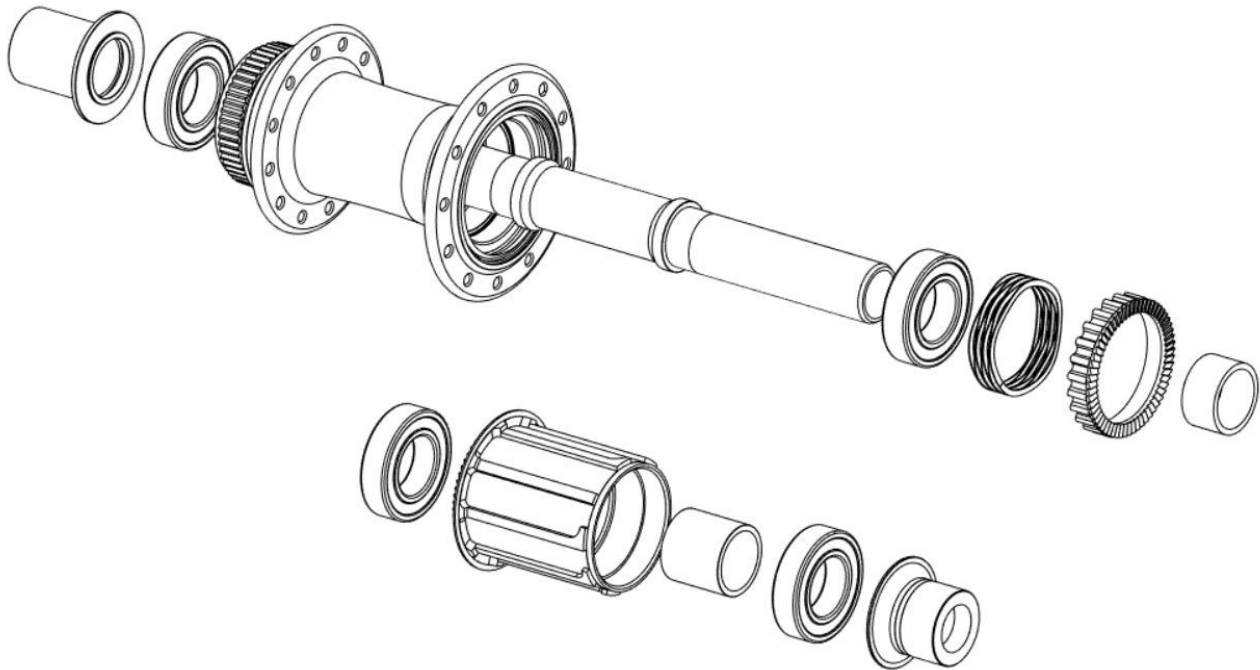


From left to right :

1. Left Endcap
2. 6902 Bearing
3. Hubshell
4. Front Axle
5. 6902 Bearing
6. Right Endcap

Left endcap and right endcap are available as a kit

ROAD Centerlock Rear Hub



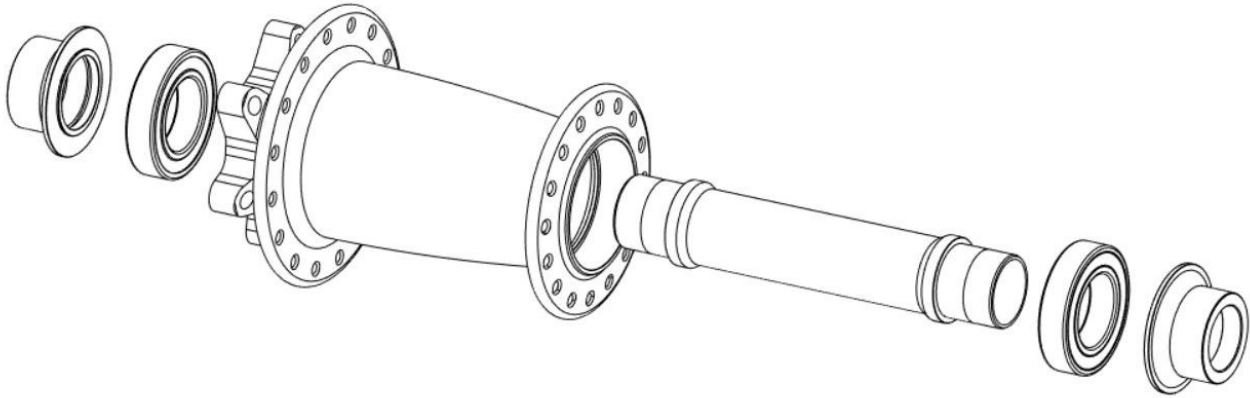
From left to right :

1. Left Endcap
2. 6902 Bearing
3. Hubshell + Seal
4. Rear Axle
5. 6902 Bearing
6. Spring
7. 36T Ratchet
8. Freewheel Spacer

9. 6902 Bearings (6802 Bearing if Campagnolo N3W)
10. Titanium Freehub
11. Freehub Spacer
12. 6902 Bearing (6802 Bearing if Shimano Microspline or Campagnolo N3W)
13. Right Endcap

Left endcap and right endcap are available as a kit

MTB IS-6 Front Hub

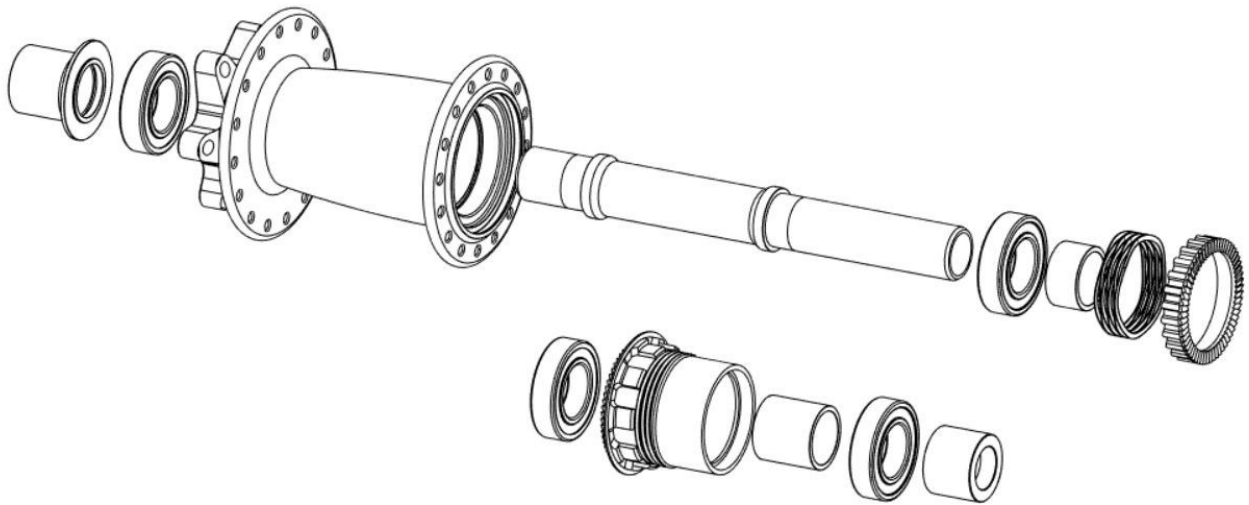


From left to right :

14. Left Endcap
15. 6903 Bearing
16. Hubshell
17. Front Axle
18. 6903 Bearing
19. Right Endcap

Left endcap and right endcap are available as a kit

MTB IS-6 Rear Hub



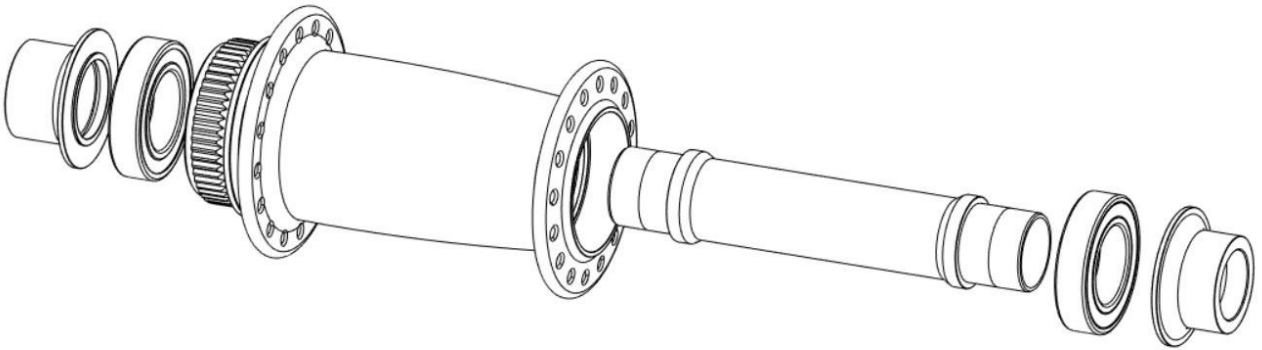
From left to right :

1. Left Endcap
2. 6902 Bearing
3. Hubshell + Seal
4. Rear Axle
5. 6902 Bearing
6. Freewheel Spacer
7. Spring
8. 60T Ratchet

9. 6902 Bearings
10. Titanium Freehub
11. Freehub Spacer
12. 6902 Bearing (6802 Bearing if Shimano Microspline)
13. Right Endcap

Left endcap and right endcap are available as a kit

MTB Centerlock Front Hub

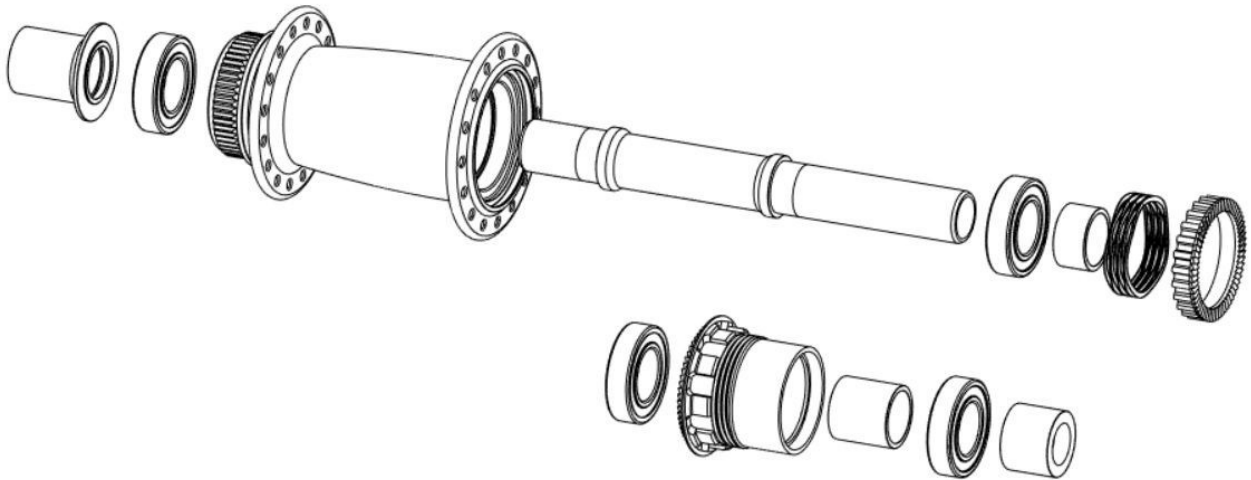


From left to right :

- 14. Left Endcap
- 15. 6903 Bearing
- 16. Hubshell
- 17. Front Axle
- 18. 6903 Bearing
- 19. Right Endcap

Left endcap and right endcap are available as a kit

MTB Centerlock Rear Hub



From left to right :

1. Left Endcap
2. 6902 Bearing
3. Hubshell + Seal
4. Rear Axle
5. 6902 Bearing
6. Freewheel Spacer
7. Spring
8. 60T Ratchet

9. 6902 Bearings
10. Titanium Freehub
11. Freehub Spacer
12. 6902 Bearing (6802 Bearing if Shimano Microspline)
13. Right Endcap

Left endcap and right endcap are available as a kit